
bigstone

C600E-USB-LCD
Instructions



content

About the User Manual	2
Outlook and Size	2
Material and Color	2
Button Definition	3
Function Summary	4
Function Summary	4
Full View Area	6
Normal Operation	6
1. ON/OFF	6
2. Current Display	7
3. Riding Mode Selection	7
4. Speed Display	8
5. KM/H & MPH	8
6. Backlight Indicator	8
7. 6KM/H Work	8
8. PAS Level Selection	9
9. Error Code Indicator	9
10. SET Operation	10
11. Distance Indicator	11
12. Trip Time Indicator	12
13. Battery Indicator	13
14. Cable Definition	13
15. Auto Sleep After 5 Minutes	14
Common Problems & Solutions	14
Quality & Warranty	14
Quality & Warranty:	14
Other Items:	15
Error Code Table	15

About the User Manual

Dear users,

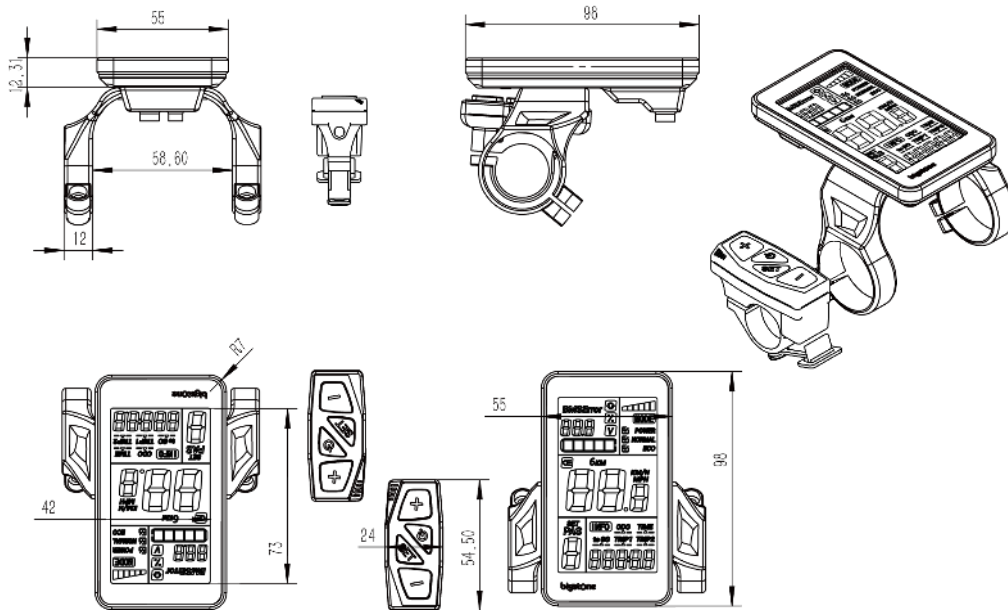
To ensure better performance of your e-bike, please read through the C600E-USB product introduction carefully before using it. We will inform you all the details concisely (including hardware installation, setting and normal operations) when using our display. Meanwhile, the introduction will also help you solve possible confusion and malfunction.

Outlook and Size

Material and Color


C600E-USB products are made of black ABS material and the bracket is made of nylon material. Under the temperature of -20 to 60 , the shell material can ensure normal usage and good mechanical performance of the products.

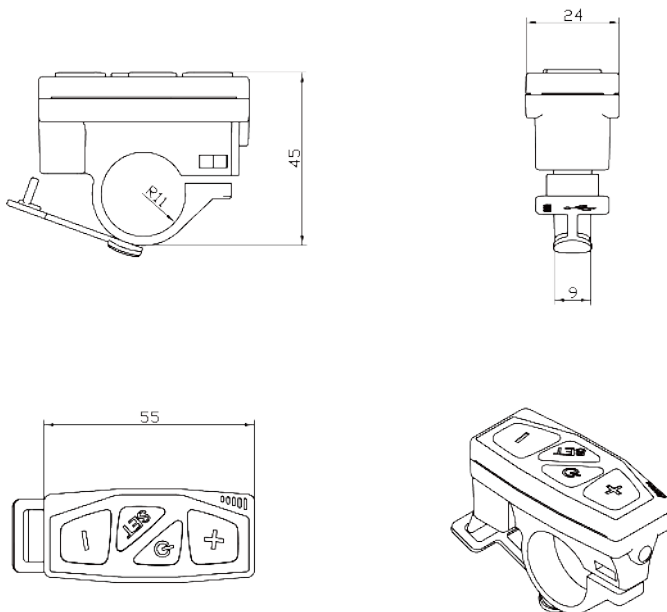
Dimension figure (unit: mm)



Button Definition

C600E-USB has four buttons including **ON/OFF** , **SET** , **UP** and **DOWN**.

“ON/OFF” names to “”, “SET” names to “**SET**”; “UP” names to “**+**” and “DOWN” names to “**-**”.



Function Summary

Function Summary

C600E-USB provides a wide range of functions and indicators to fit the users' needs. The indicated contents are as below.

1. ON/OFF
2. Current display
3. Riding mode selection
4. Speed display
5. KM/H & MPH
6. Backlight indicator
7. 6KM/H work
8. PAS level selection
9. Error code indicator
10. SET operation
11. Distance indicator
 - 11.1 Total distance (ODO)
 - 11.2 Trip 1
 - 11.3 Trip 2
 - 11.4 Remaining distance (**without this function by default**)
12. Trip time indicator

13. Battery indicator

13.1 Battery residual capacity indicator

13.2 Battery voltage

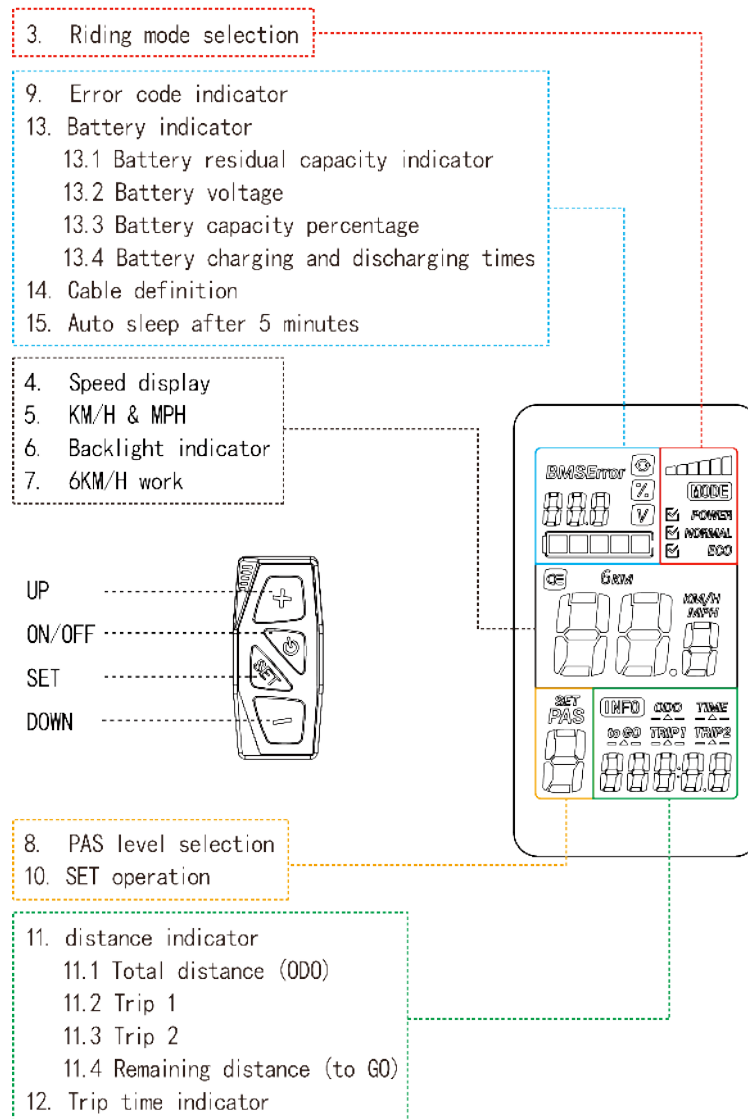
13.3 Battery capacity percentage (**without this function by default**)

13.4 Battery charging and discharging times (**without this function**

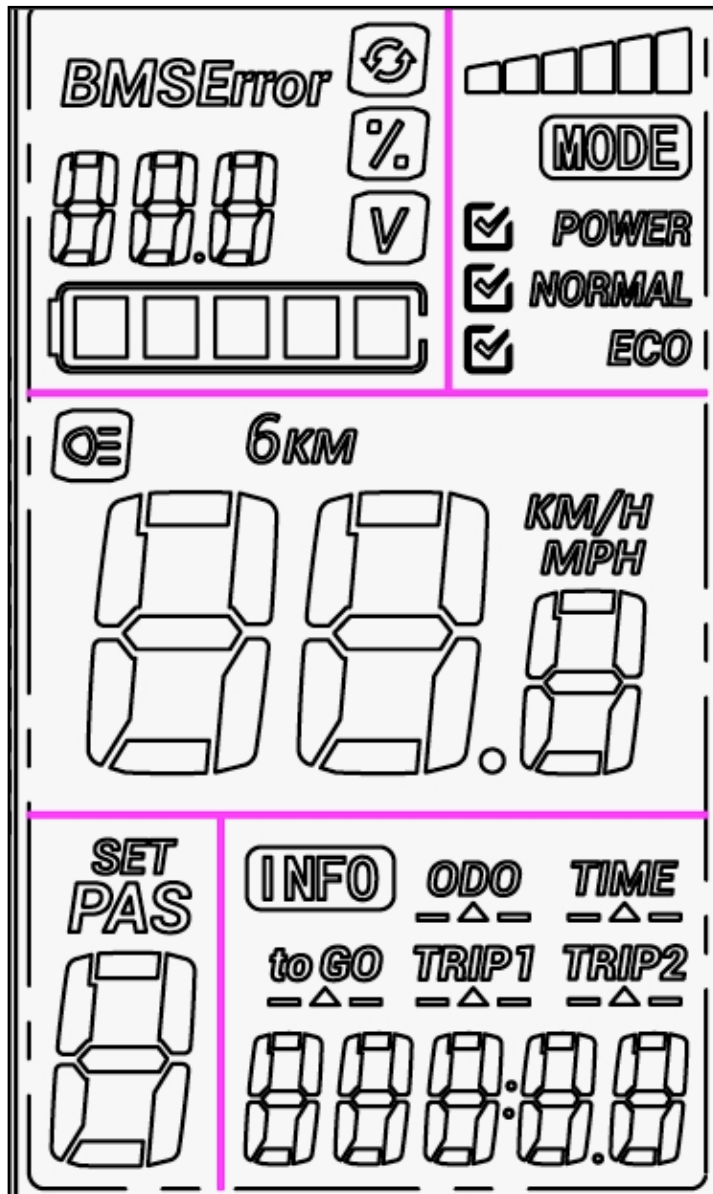
by default)

14. Cable definition

15. Auto sleep after 5 minutes



Full View Area



Normal Operation

1. ON/OFF

Hold **ON/OFF** and start the display. The display will provide power for the controller, and the USB interface can provide the 5V voltage output, so that the mobile phone charging. Hold **ON/OFF** again to open the backlight. With display on, press **ON/OFF** for 3 seconds to turn off the power. With the display off, there is no battery consumption. The leakage current is no more than $2\mu\text{A}$.

※ The panel will go to sleep when the speed is 0 km/h for 5 minutes.

2. Current Display

That represents the discharging current of the controller currently, each mark is 2A, six segments is $\geq 12\text{A}$.



3. Riding Mode Selection

There are three modes for riding with arrow selection, including POWER, NORMAL and ECO. The default option is NORMAL.



4. Speed Display

The speed is as below, and user can select KM/H or MPH in **SET4**.



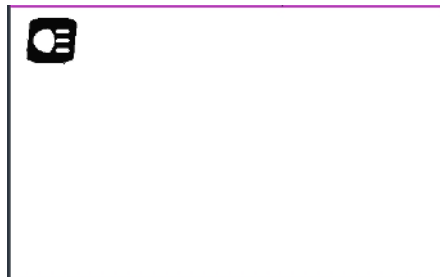
5. KM/H & MPH

Select KM/H or MPH for the speed and mileage, display will be the currently selected units display.

6. Backlight Indicator

With the power on, click the **ON/OFF** and turn on the backlight.

Click it again and turn off the backlight.



※ If the e-bike has headlight, the controller will turn on/off the headlight at the same time of the backlight on/off (without this function by default).

7. 6KM/H Work

Hold the **DOWN** for 2 seconds to get into 6km PAS work, and with your hand off, the 6km PAS work is released. The display is as below.



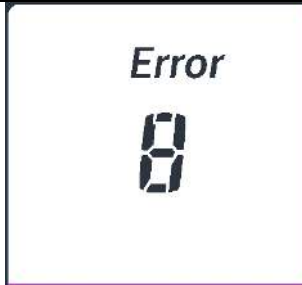
8. PAS Level Selection

Click **UP** or **DOWN** to change the stages and output power ratio, the default mode is mode 6 and it's output power range from level 1 to level 6, the default value is level 1 .



9. Error Code Indicator

If there is something wrong with the electronic control system, the display will flash at 1 HZ and show the error code automatically. Different error code is corresponding with different error information. See the last page **Error code table** for details.



※ Display return to normal only after problem being fixed and e-bike will not run before fixing the problem.

10. SET Operation

Hold the **SET** for 2 seconds and enter into the setting interface, then Number 8 is lighting, the display will flash at 1 HZ. Click the **SET** to cycle from 0 to 4 setting interface, press **UP** or **DOWN** to select the wanted parameter, and hold the **SET** for 1 second to exit.



10.1 SET0 : Riding mode selection

There are three modes for selected: POWER、NORMAL、ECO.

10.2 SET1: Reset trip 1

Click the **DOWN** and reset the trip 1, then the **TRIP1** icon will flash at 1 HZ, meanwhile the mileage will be cleared.

10.3 SET2: Max speed setting

The max speed is 99.9 km/h for the default. In the SET 2 interface, user can modify the value of max speed, when the riding speed exceeds the set value, the controller will stop supplying power to the e-bike, in order to ensure the safety of rider.

※ The max speed value range from 20 km/h to 99.9 km/h. The max speed displays in speed display area. When set max speed 99.9 km/h, there is no limit for riding speed.

10.4 SET3: Wheel diameter setting

Select the accurate wheel diameter value to ensure the accuracy of display about speed and mileage.

10.5 SET4 : KM/H & MPH

Select the accurate wheel diameter value to ensure the accuracy of display about speed and mileage. for the speed and mileage, display will be to the currently selected units display.

※ Press **UP** or **DOWN** to select parameter, hold the **SET** for 1 second to save and exit.

11. Distance Indicator

With the display on, press **SET** to switch the display information. In turn shows: ODO, trip 1 and trip 2.

11.1 ODO

The ODO records the driving mileage from using, the

accumulated value cannot be cleared.

11.2 Trip 1

Trip 1 is can be reset by hand in the **SET 1** interface. (when the riding mileage $\geq 500\text{km}$, it will be reset automatically. The value will be accumulated without resetting.)

11.3 Trip 2

Trip 2 displays the last driving distance for 30 s after turning on the display, then reset it automatically and start to record the current distance.

11.4 Remaining distance (without this function by default)

This function need to be customized.

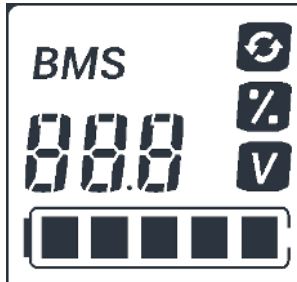


12. Trip Time Indicator

The riding time parameter is automatically reset after shut down.



13. Battery Indicator



13.1 Battery residual capacity indicator

The battery frame have five segments, each segment represent 20% battery capacity. When the capacity is full, the five segments are all light. In low battery, the battery frame will flash, it indicates that the battery is severely low and needs to be recharged immediately.



13.2 Battery voltage

It displays the current voltage of this battery.

13.3 Battery capacity percentage (without this function by default)

It displays the percentage of battery capacity. This function needs to be customized.

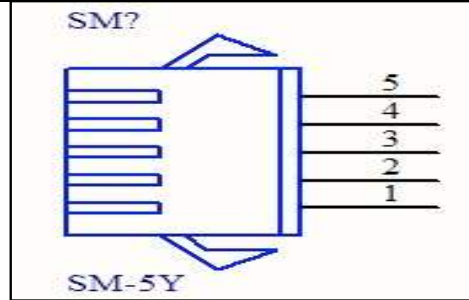
13.4 Battery charging and discharging times (without this function by default)

This function needs customization.

※ The panel displays the voltage for the default.

14. Cable Definition

- 1 Red: Battery +
- 2 Blue: Lock
- 3 Black: Battery-
- 4 Green: UART-RECEIVE (RXD)
- 5 White: UART- SEND (TXD)



15. Auto Sleep After 5 Minutes

When the riding speed is 0 km/h for 5 minutes, the system will go to sleep automatically.

Common Problems & Solutions

Q: Why the display is not able to start up?

A: Checking the connector that between display and controller.

Q: How to deal with the error code?

A: Fix it to the maintenance place immediately. If cannot be resolved, you can go to the electric vehicle repair points repair it in a timely manner.

Quality & Warranty

Quality & Warranty:

- 1、 Any quality problems in normal case and in guarantee period, our company will responsible for the warranty.
- 2、 The warranty time is 18 months from date of purchasing.

Other Items:

The following items are not belong to warranty scope.

1. It can not be demolished.
2. The damage caused by wrong installation or operation.
3. Shell is broken when display is out of the factory.
4. Wire is broken.
5. Force disaster (such as fire, earthquake, etc.) or natural disasters like lightning, etc caused by fault or damage.
6. Beyond Warranty period.

Error Code Table

The error code is corresponding with the fault definition.

Error code	definition
0	normal
1	Current error or MOS damaged
2	Throttle error(Start detection)
3	motor no phase position
4	Hall error
5	Brake error(Start detection)
6	Under voltage
7	Motor stalling
8	communication controller receiving error
9	communication display receiving error